

POWER SEAT SWITCH REPLACEMENT

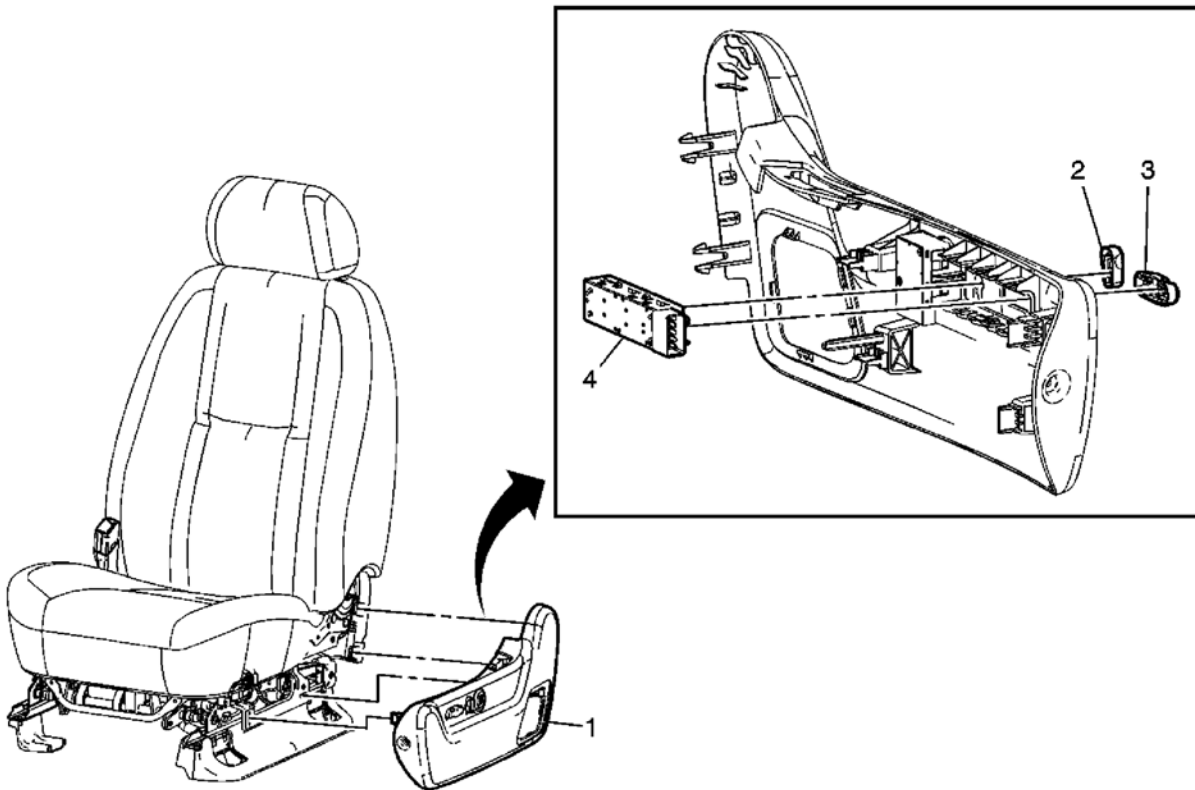


Fig. 37: View Of Front Seat Adjuster Switch & Components

Courtesy of GENERAL MOTORS CORP.

Power Seat Switch Replacement

Callout	Component Name
1	Front Seat Adjuster Outer Finish Cover Refer to Front Seat Cushion Outer Trim Panel Replacement (Power) or Front Seat Cushion Outer Trim Panel Replacement (Manual) .
2	Front Seat Recliner Switch Knob Tip: Pull off to remove.
3	Front Seat Adjuster Switch Knob Tip: Pull off to remove.
4	Front Seat Adjuster and Recliner Switch Tip: Use a small flat bladed tool to disengage the switch from the outer finish cover.

© 2008 Mitchell Repair Information Co., LLC.